



Ethernet/IEEE 802.3 evolution

Pietro Nicoletti
www.studioreti.it



Copyright note

- These slides are protected by copyright and international treaties. The title and the copyrights concerning the slides (inclusive, but not only, every image, photograph, animation, video, audio, music and text) are the author's (see Page 1) property.
- The slides can be copied and used by research institutes, schools and universities affiliated to the Ministry of Public Instruction and the Ministry of University and Scientific Research and Technology, for institutional purpose, not for profit. In this case there is not requested any authorization.
- Any other complete or partial use or reproduction (inclusive, but not only, reproduction on discs, networks and printers) is forbidden without written authorization of the author in advance.
- The information contained in these slides are believed correct at the moment of publication. They are supplied only for didactic purpose and not to be used for installation-projects, products, networks etc. However, there might be changes without notice. The authors are not responsible for the content of the slides.
- In any case there can not be declared conformity with the information contained in these slides.
- In any case this note of copyright may never be removed and must be written also in case of partial use.

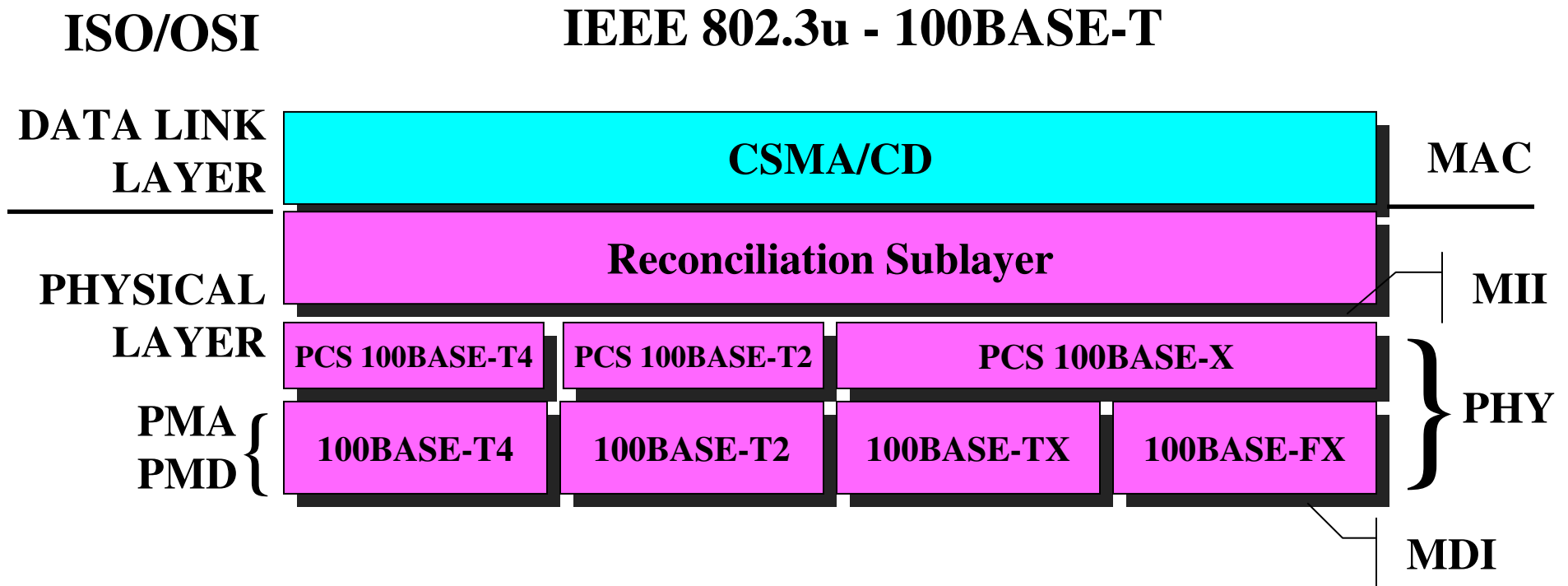


Fast Ethernet - IEEE 802.3u

- IEEE 802.3u
 - Ethernet 802.3 evolution of 10BASE-T e 10BASE-F
 - 4 sub-standard for different cable type:
 - 100BASE-T4 (UTP cat 3, over 4 pairs)
 - 100BASE-T2 (UTP cat 3, over 2 pairs)
 - 100BASE-TX (UTP cat 5, over 2 pairs)
 - 100BASE-FX (fiber optic)
 - Same MAC CSMA/CD of IEEE 802.3
 - Same frame format of IEEE 802.3
- ← Not used
- } 100BASE-X



Architectural Model



MDI: Medium Dependent Interface	PHY: Physical Layer Device
MII: Medium Independent Interface	PMA: Physical Medium Attachment
PCS: Physical Coding Sublayer	PMD: Physical Medium Dependent

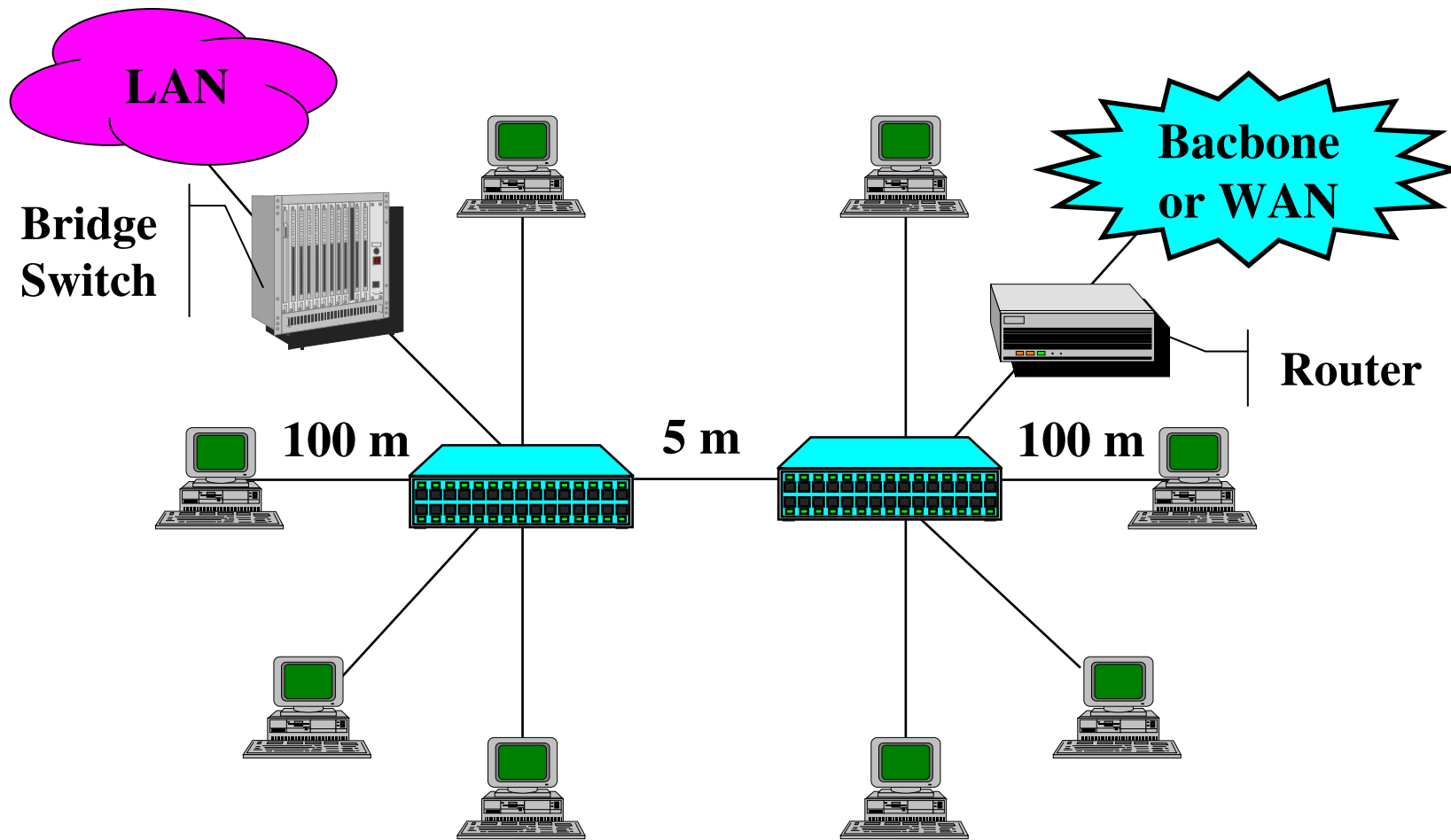


LAN extension and limits

- Speed 10 times faster
 - Data Rate 100Mb/s
 - Bit time 10ns
 - Interpacket gap 0.96 μ s
 - Slot time 512 bit (5.12 μ s)
- Reduced LAN diameter (200 m + 5 m)



Maximum LAN extension

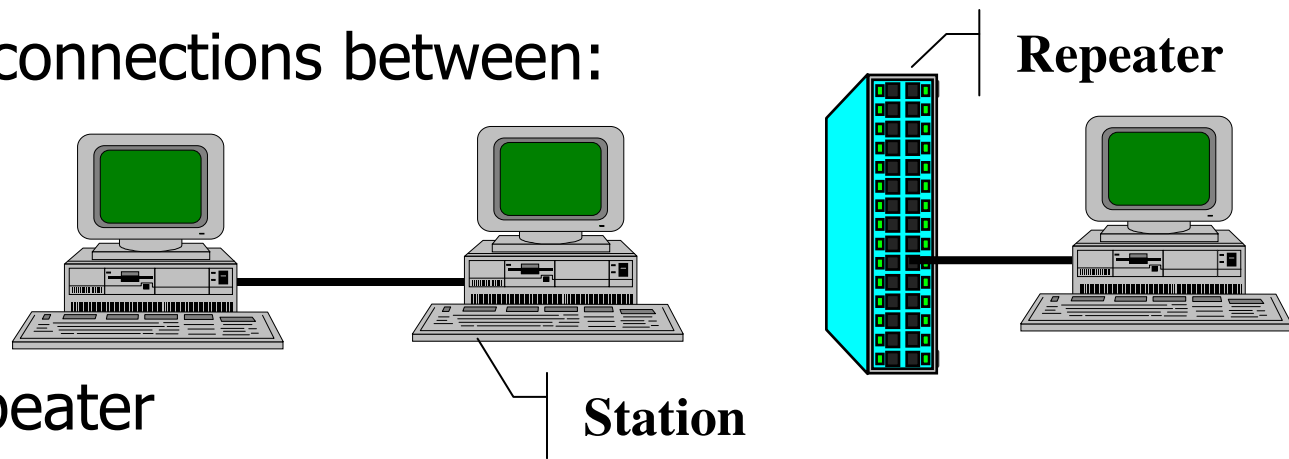




Physical Layer

Point-to-Point connections between:

- stations
- bridge
- switch
- stazion & repeater



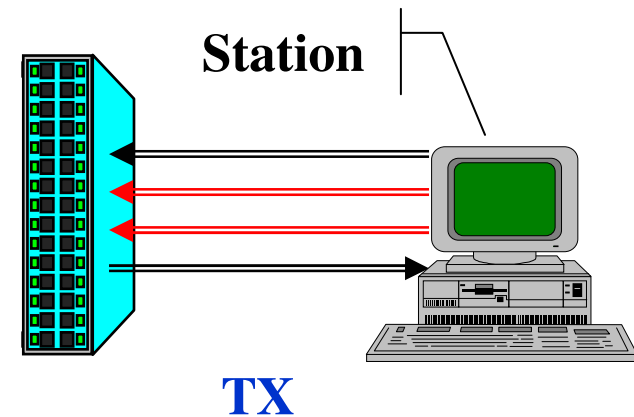
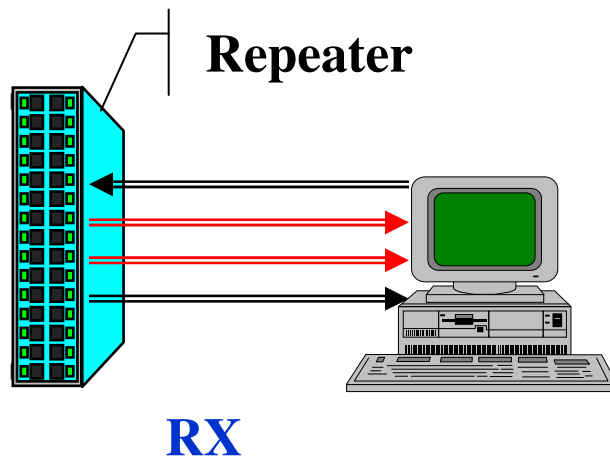
Standard	Media type	use	Max length	Code
100BASE-T4	UTP or STP cat 3 or superior	4 pair	100 m	8B6T
100BASE-T2	UTP or STP cat 3 or superior	2 pair	100 m	PAM5x5
100BASE-TX	UTP or STP cat 5 or superior	2 pair	100 m	FDDI: 4B5B
100BASE-FX	multimode fiber optic (62.5/125 μm)	2 fiber	400 m – HD 2000 m - FD	FDDI: 4B5B



100BASE-T4

4 pairs used

- Half duplex transmission
- 1 for TX
- 1 for RX
- 2 for TX or RX

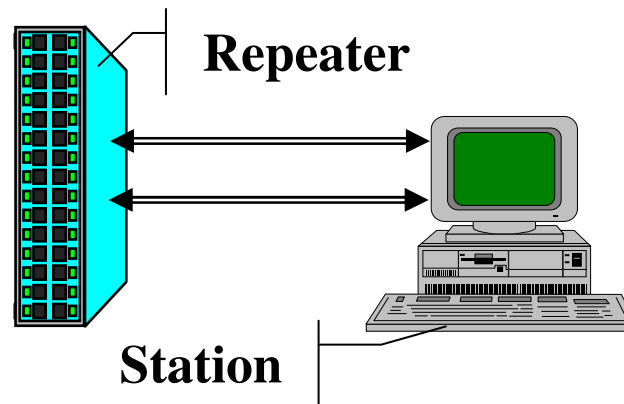




100BASE-T2

2 pairs used

- Half and full duplex transmission
- Hybrid transformer
- 5-level pulse amplitude modulation PAM 5x5





100BASE-X

- Transmission half and full duplex
- 100BASE-X derived from FDDI physical layer specifications (ISO/IEC 9314)
 - 100BASE-TX for copper and 100BASE-FX for fiber
- 100BASE-TX for UTP or STP cables (Shielded Twisted Pair)
 - Maximum segment length: 100 m
 - Maximum LAN diameter 205 m with 2 repeater
- 100BASE-FX for fiber optic cable
 - Maximum segment length (station-to-station): 400 m
 - Limit of CSMA/CD
 - Maximum LAN diameter with 1 repeater 300 m



Auto negotiation

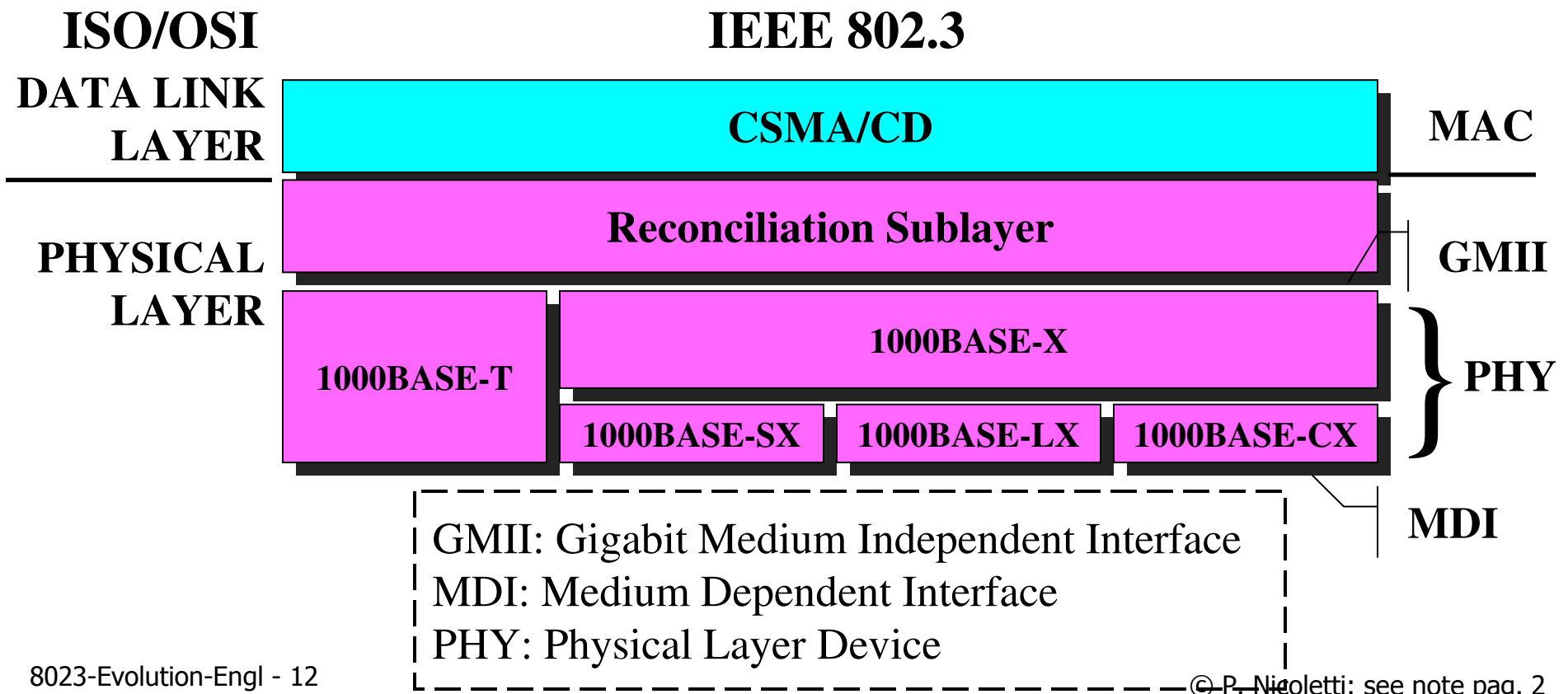
- Auto negotiation possibilities:
 - speed (only over copper)
 - half/full duplex (over copper and fiber optic)
- Negotiation sequence:
 - 1 Gb/s full-duplex
 - 1 Gb/s half-duplex
 - 100 Mb/s full-duplex
 - 100 Mb/s half-duplex
 - 10 Mb/s full-duplex
 - 10 Mb/s half-duplex



Gigabit Ethernet

IEEE 802.3z e IEEE 802.3ab

- Protocol extension for collision detection (MAC)
- GMII (Gigabit Media Independent Interface) between Physycal and MAC Layers





New functions

■ *Carrier extension*

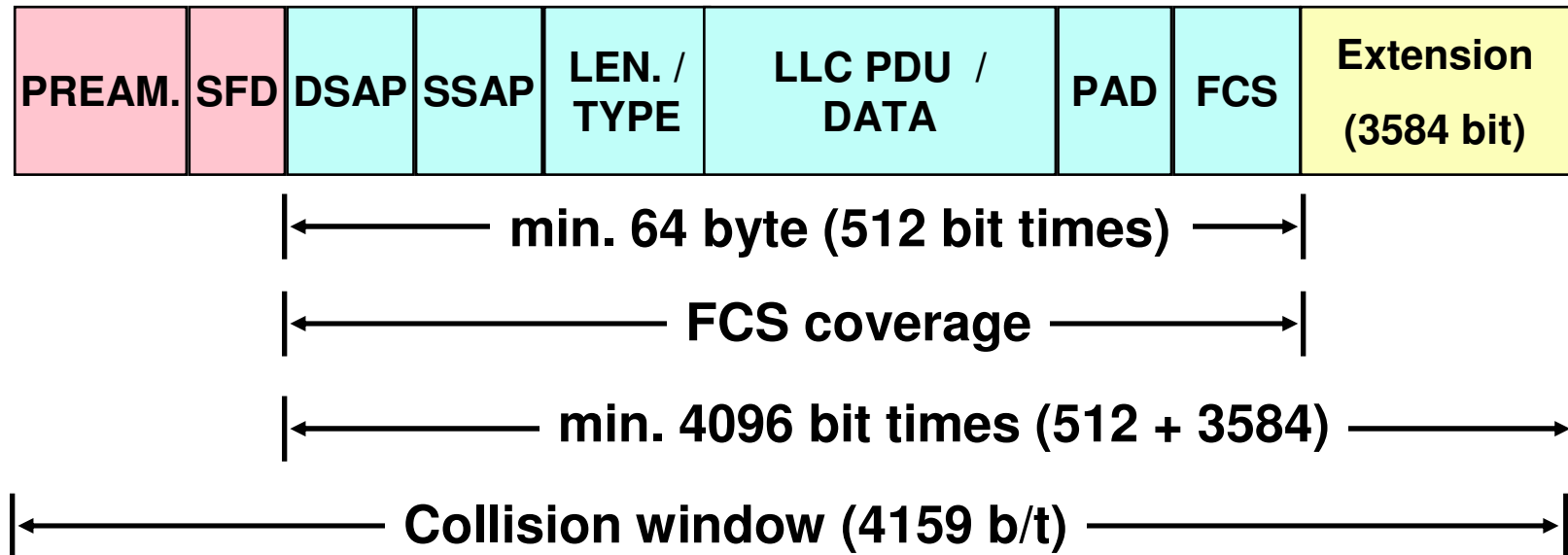
- Increase the dimension of frames shortest than 4096 bit
- data + *extension bit* = 4096 bit
- Collision Window = 4.1 μ s

■ *Burst mode*

- Fill bit transmission instead of Inter Frame Gap between frames during burst window
- Continuous transmission up to 77 Kbit (65 K + 12 K)

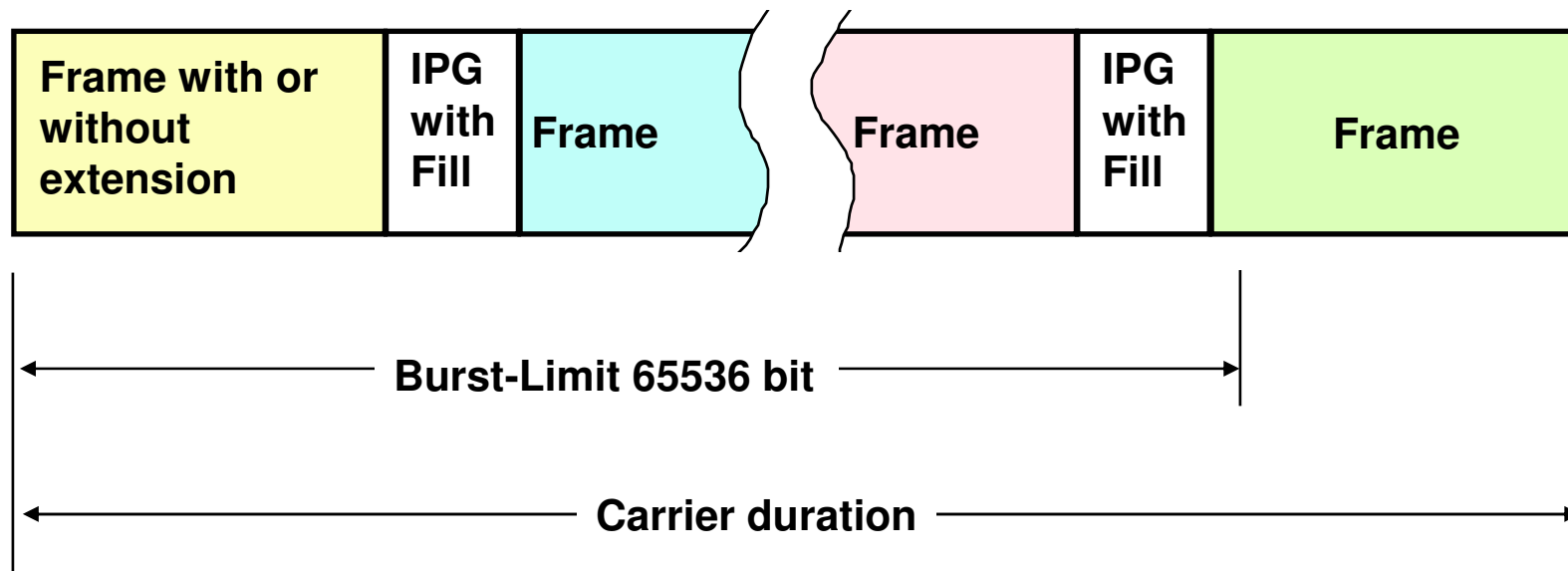


Carrier Extension





Frame Bursting





Gigabit Ethernet Physical layer

MMF = Multi Mode Fiber
SMF = Single Mode Fiber

Standard	Media	Use	Max leng.	Code
1000BASE-SX	MMF 50/125 μm (400 MHz * Km a 850nm)	2 fibers	500 m	FC: 8B10B
	MMF 50/125 μm (500 MHz * Km a 850nm)		550 m	
	MMF 62.5/125 μm (160 MHz * Km a 850nm)		220 m	
	MMF 62.5/125 μm (200 MHz * Km a 850nm)		275 m	
1000BASE-LX	MMF 50/125 μm (400/500 MHz * Km a 1300nm)	2 fibers	550 m	FC: 8B10B
	MMF 62.5/125 μm (500 MHz * Km a 1300nm)		550 m	
	SMF 10/125 μm		5000 m	
1000BASE-CX	STP (jumper cable) 150 Ω	2 pairs	25 m	FC: 8B10B
1000BASE-T	UTP balanced 100 Ω Cat. 5E	4 pairs	100 m	PAM5

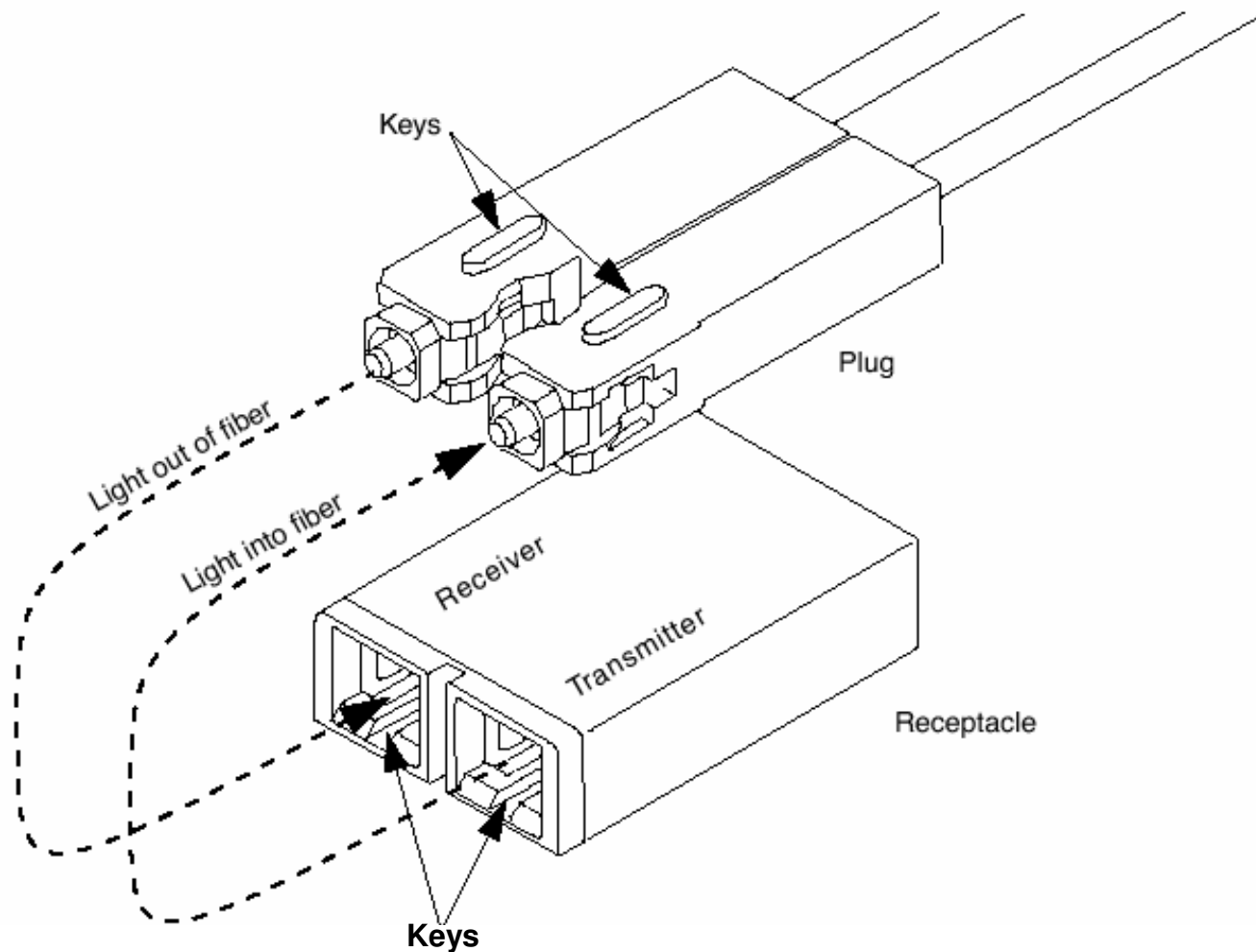


1000BASE-X

- Sub Standard
 - 1000BASE-CX (copper short range)
 - 1000BASE-SX (short wavelength)
 - 1000BASE-LX (long wavelength)
- Based on Fiber Channel (FC) Physical Layer
 - Code 8B10B
 - Redundancy code: control symbol and transitions

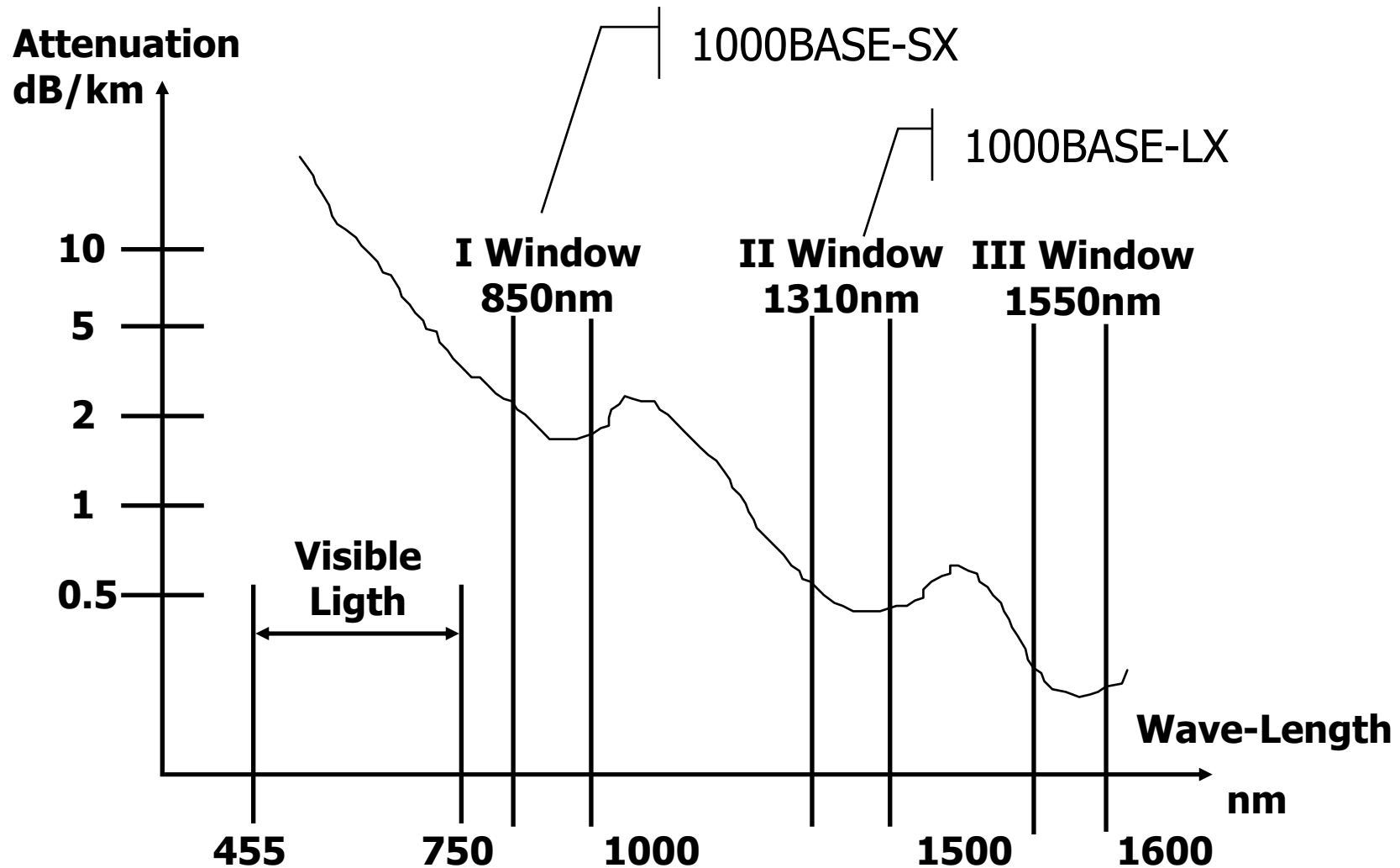


1000BASE-SX e 1000BASE-LX connectors



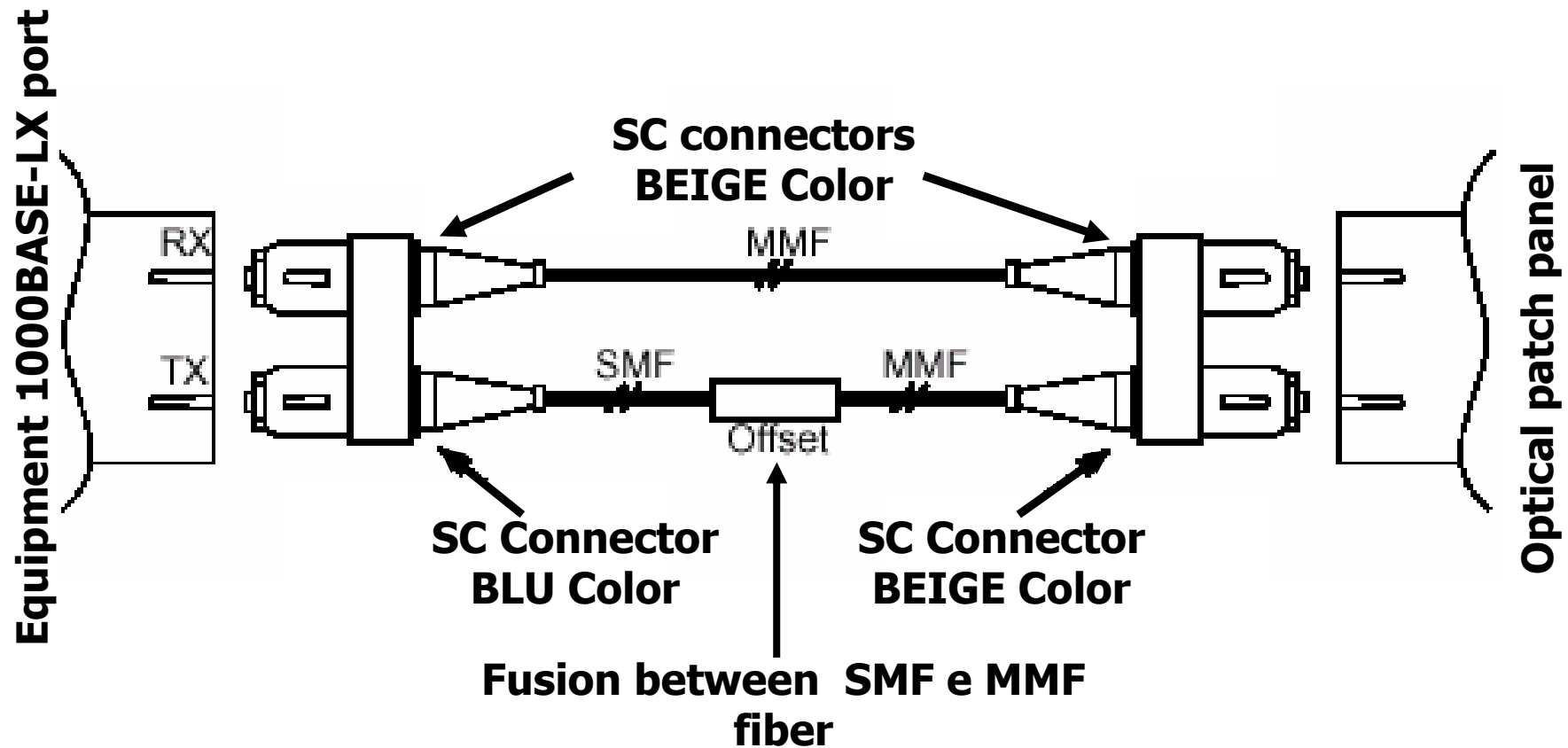


Wave-Length and standard





1000BASE-LX & multimode fiber: Mode Conditioning Patch Cord

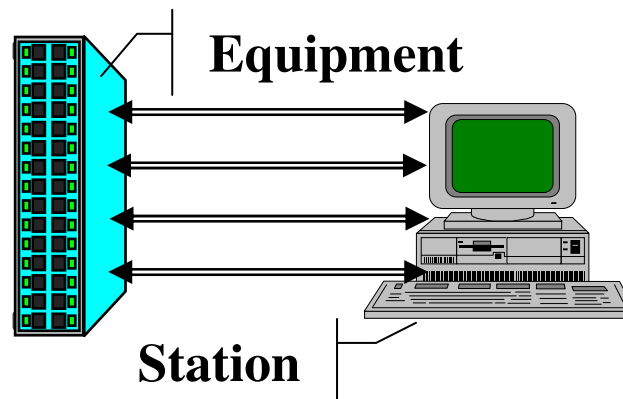


MMF = Multi Mode Fiber
SMF = Single Mode Fiber



IEEE 802.3ab – 1000BASE-TX

- Full-duplex transmission over 4 pairs
 - 250 Mb/s per pairs
 - Hybrid transformers
- Code PAM5 (5-level Pulse Amplitude Modulation)





Non standard products

- 1310 nm single-mode fiber: 10 Km
 - Example Cisco GBIC 1000BASE-LX/LH
- 1550 nm single-mode fiber dispersion shift: 100 Km
 - Example Cisco GBIC 1000BASE-LZ